

TECHNICAL DATA SHEET

SAFETY INTERLOCK SWITCHES DEVICE DX-W5 series



For illustration purposes only



Contents

- Product features
- Technical data
- Electrical wiring
- Accessories
- Installation diagram
- Back unlocking
- Safety door bolt

Product Features

- The safety door switch with locking function can ensure that the safety protection device door and other protective covers remain in a safe state even if the dangerous state is not eliminated.

DX-W5 series

Metal head

6 sets of gold plated contacts

4 contact combinations

DC24V/AC110V

Locking force 1300N

Indicator light+emergency unlocking

Adapted to 11 types of operation keys



Suitable for monitoring safety doors and windows

High strength wear-resistant engineering plastic with built-in 304 stainless steel components

Forced mechanical interlocking self detection structure with extremely high reliability

Product application

Used for monitoring places such as safety doors and windows, in accordance with EN ISO 14119 and GB/T 18831-2002.

- Automated production line
- Robot production line
- Hazard testing area
- Isolation places, etc



Technical data

Electrical parameters			
Rated voltage	10~115VAC/DC		
rated current	1mA		
Light source color	green		
Rated working voltage	DC24V±10%		
rated current	200mA (initial value)		
rated power	4.8W		
Rated insulation voltage (Ui)	300V		
Rated impulse withstand voltage (Uimp)	2.5kV		
Rated open thermal current (Ith)	10A		
Rated limited short-circuit current	1000A		
use category	AC-15	DC-13	
Rated working voltage (Ue)	240V	30V	250V
Rated operating current (Ie)	3A	2.3A	0.27A

Mechanical parameters	
Dimensions (w*h*l)	39*39.4*183mm
Insulation class	Class B (130°C)
Shell material	PA66 flame retardant
Contact material	Gold Plated Silver Alloy
Protection level	IP67 (EN60947-5-1, except key operation hole)
Service life	Mechanical more than 1 million times
	Electric appliances more than 150,000 times
Tensile strength when locked	1300N
Forced disengagement force	≥80N
Forced breakaway distance	≥10mm
Allowable operating speed	0.05-0.5m/s
Allowable operating frequency	Up to 20 operations/min

Environmental data	
Ambient temperature	-20 °C~60 °C, without freezing
Environment humidity	Below 85% RH

Electrical wiring

1.Function and purpose

The use of safety door locks to monitor the status of safety doors can ensure reliable shutdown of equipment.

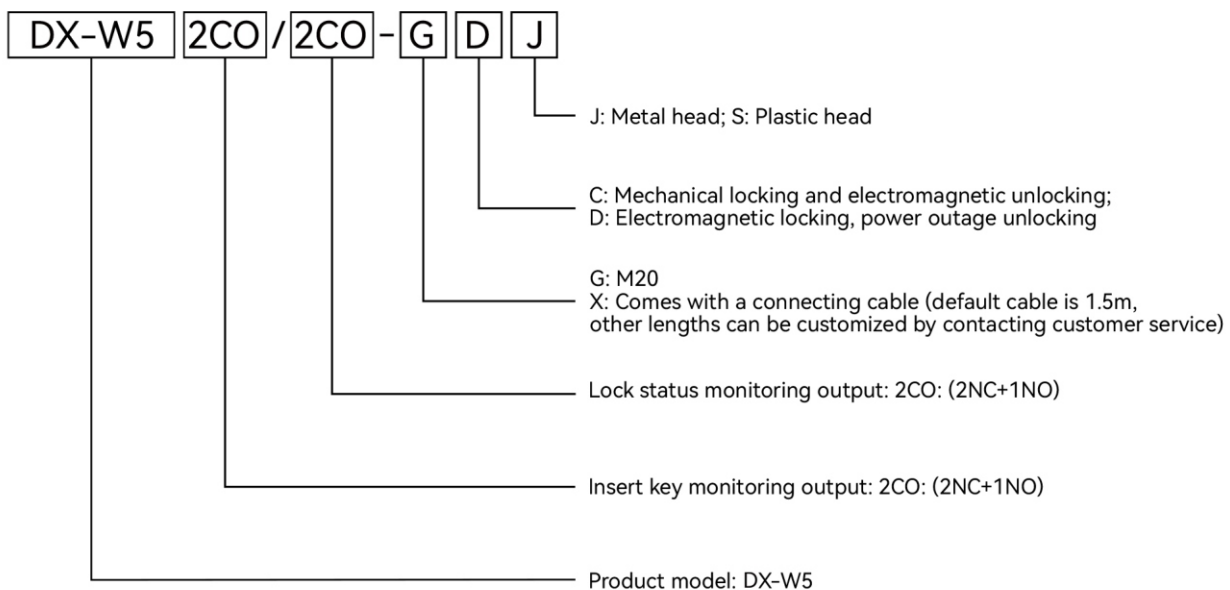


2.Connection example

The safety door lock can be connected to the safety relay to form a high-level safety circuit. Used to control reliable stopping and starting of equipment.



Model Selection


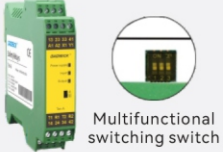


Lock material	Emergency unlocking Twist position	Electromagnet voltage /indicator light	Lock/Unlock Method	Contact type		Model
				Door monitoring	Lock monitoring	
Metal	Side	Electromagnet: DV24V	Electromagnetic locking Mechanical unlocking	2NC+1NO	2NC+1NO	DX-W5-2CO/2CO-GD-J
				3NC	2NC+1NO	DX-W5-3C/2CO-GD-J
				2NC+1NO	3NC	DX-W5-2CO/3C-GD-J
				3NC	3NC	DX-W5-3C/3C-GD-J
		Green LED AC/DC10-115V	Mechanical locking Electromagnetic unlocking	2NC+1NO	2NC+1NO	DX-W5-2CO/2CO-GC-J
				3NC	2NC+1NO	DX-W5-3C/2CO-GC-J
				2NC+1NO	3NC	DX-W5-2CO/3C-GC-J
				3NC	3NC	DX-W5-3C/3C-GC-J

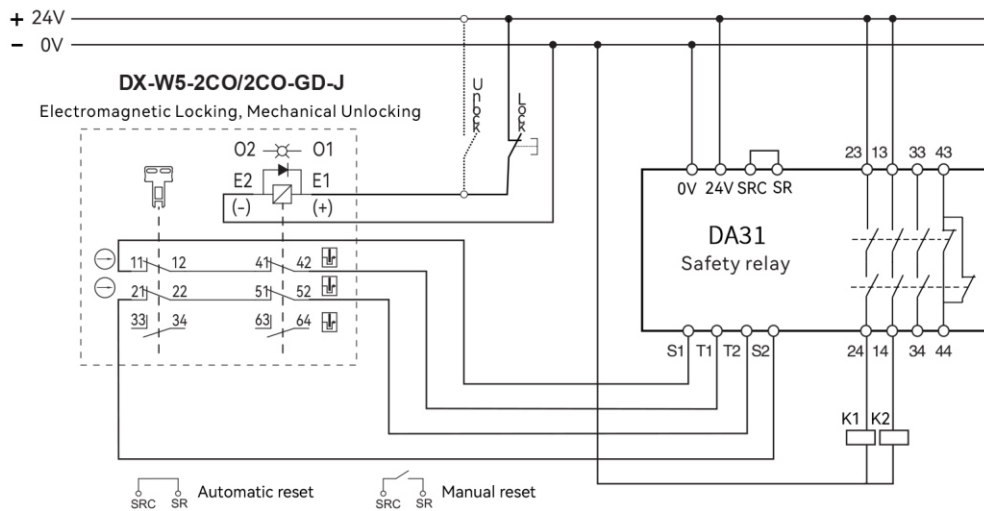
- The following wiring diagram shows inserting the operation key and being in the locked state.
(Terminals 12 and 41, 22 and 51/32 and 61 are internal connections)

Model	Contact type		Wiring diagram		Contact action	
	Door monitoring	Lock monitoring	Door monitoring+Lock monitoring		■ : ON	□ : OFF
DX-W5-2CO/2CO-GD-J DX-W5-2CO/2CO-GC-J	2NC+1NO	2NC+1NO				
DX-W5-3C/2CO-GD-J DX-W5-3C/2CO-GC-J	3NC	2NC+1NO				
DX-W5-2CO/3C-GD-J DX-W5-2CO/3C-GC-J	2NC+1NO	3NC				
DX-W5-3C/3C-GD-J DX-W5-3C/3C-GC-J	3NC	3NC				

● Selection of safety locking device connected to safety relay

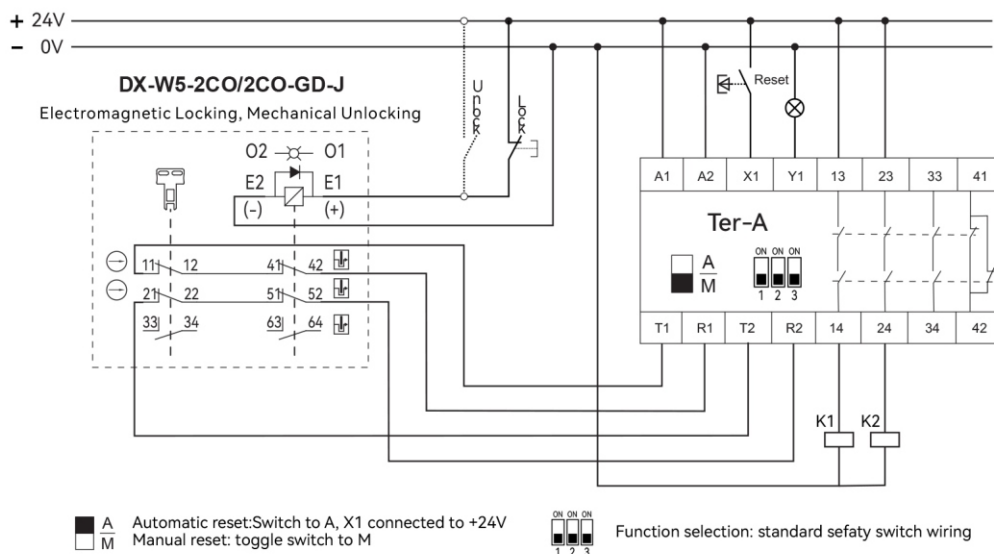
Name	Order separately	Model	Descriptions
Safety relay		DA31	DA31 safety relays have three groups of NO and one group of NC, with strong control capabilities. They are suitable for various signal monitoring in industrial places with high safety requirements, including emergency stop signals, safety door opening and closing signals, safety light curtain signals, and two-handed button signals.
Safety relay		Ter-A	Equipped with a mode switch, it can be used for most safety components, such as light curtains, safety switches, carpet contacts, two handed switches, etc. Automatic/manual reset paddles for quick configuration. Dual channel monitoring circuit, safe and reliable.

1. An example of the wiring diagram between the safety interlock switch and DA31 is as follows:



This is an example wiring diagram of DX-W5-2CO/2CO-GD-J.

2. An example of the wiring diagram between the safety interlock switch and Ter-A is as follows:

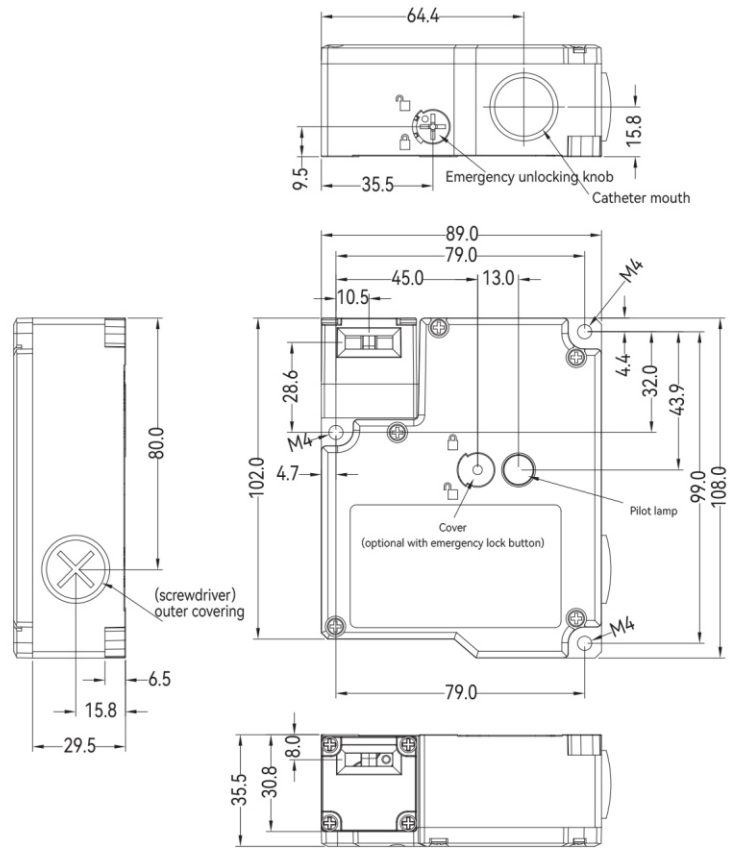


A Automatic reset: Switch to A, X1 connected to +24V
 M Manual reset: toggle switch to M

This is an example wiring diagram of DX-W5-2CO/2CO-GD-J with manual reset.


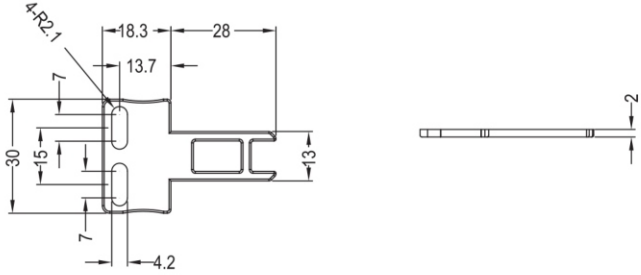
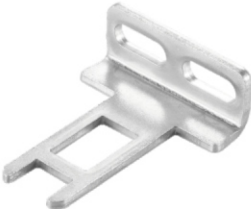
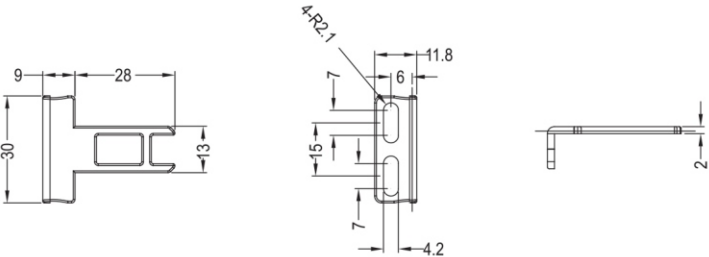

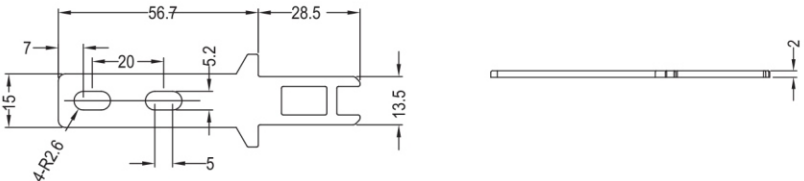

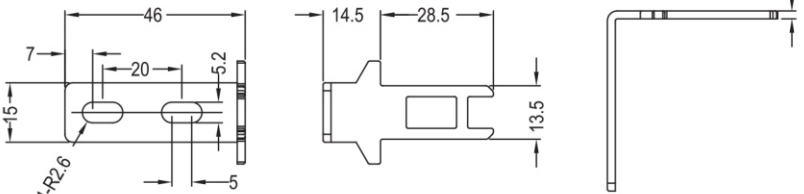
● Overall dimensions


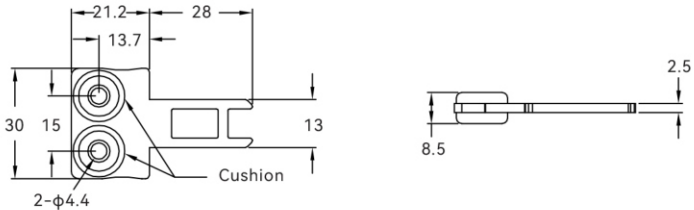
DX-W2 Series Lock Body Dimensional Drawing


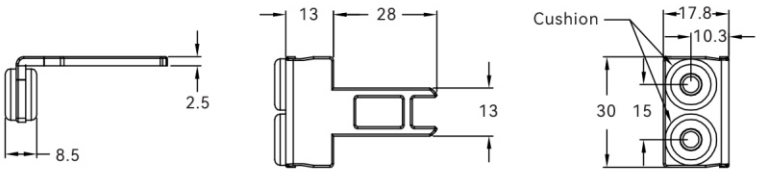



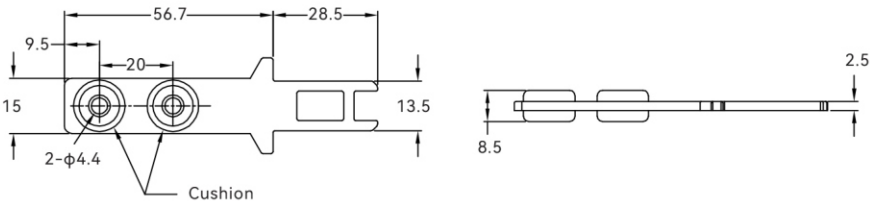
Unit: mm


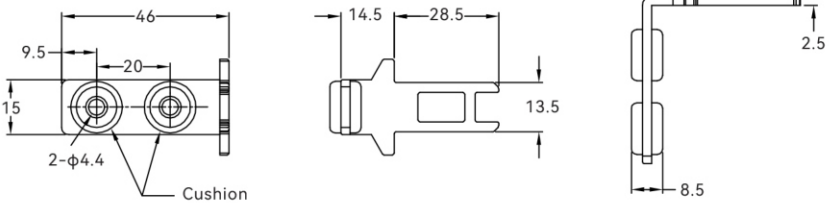
Accessories


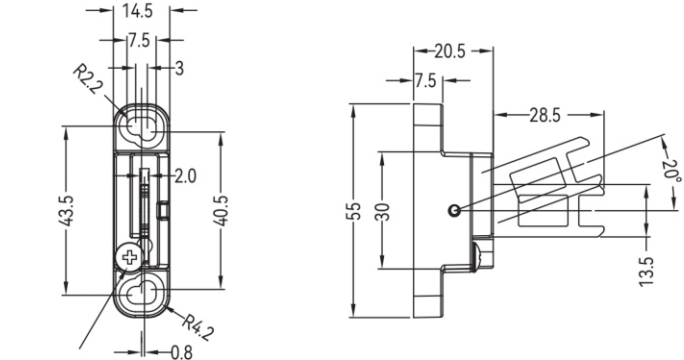
T-shaped operation key	DX-K1 operating key size diagram
 <p>(Optional accessories)</p>	 <p>Unit: mm</p>
L-shaped operation key	DX-K2 operating key size diagram
 <p>(Optional accessories)</p>	 <p>Unit: mm</p>
Long T-shaped operating key	DX-K3 operating key size diagram
 <p>(Optional accessories)</p>	 <p>Unit: mm</p>
Long L-shaped operating key	DX-K4 operating key size diagram
 <p>(Optional accessories)</p>	 <p>Unit: mm</p>


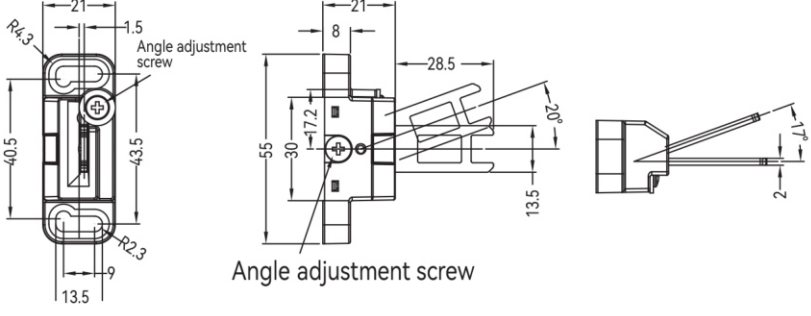
T-shaped operation key	DX-K1D operating key size diagram
 <p data-bbox="181 591 421 618">(Optional accessories)</p>	 <p data-bbox="1391 591 1481 618">Unit: mm</p>


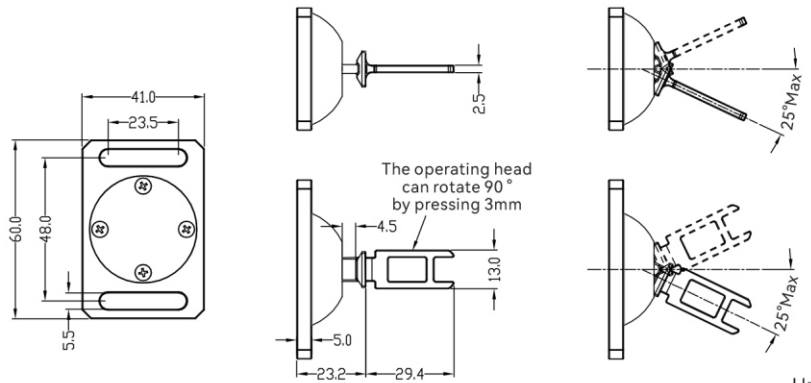
L-shaped operation key	DX-K2D operating key size diagram
 <p data-bbox="181 1061 421 1088">(Optional accessories)</p>	 <p data-bbox="1391 1061 1481 1088">Unit: mm</p>

Long T-shaped operating key	DX-K3D operating key size diagram
 <p data-bbox="181 1509 421 1536">(Optional accessories)</p>	 <p data-bbox="1391 1518 1481 1545">Unit: mm</p>

Long L-shaped operating key	DX-K4D operating key size diagram
 <p data-bbox="181 1980 421 2007">(Optional accessories)</p>	 <p data-bbox="1391 1980 1481 2007">Unit: mm</p>

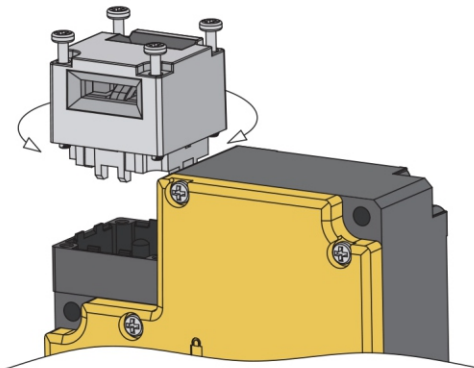
Horizontal adjustable operating key	DX-K5 operating key size diagram
 <p data-bbox="183 649 430 683">(Optional accessories)</p>	 <p data-bbox="662 638 909 672">Angle adjustment screw</p> <p data-bbox="1388 649 1484 683">Unit: mm</p>

Horizontal/vertical adjustable operation key	DX-K6 operating key size diagram
 <p data-bbox="183 1187 422 1220">(Optional accessories)</p>	 <p data-bbox="821 1108 1077 1142">Angle adjustment screw</p> <p data-bbox="1388 1187 1484 1220">Unit: mm</p>

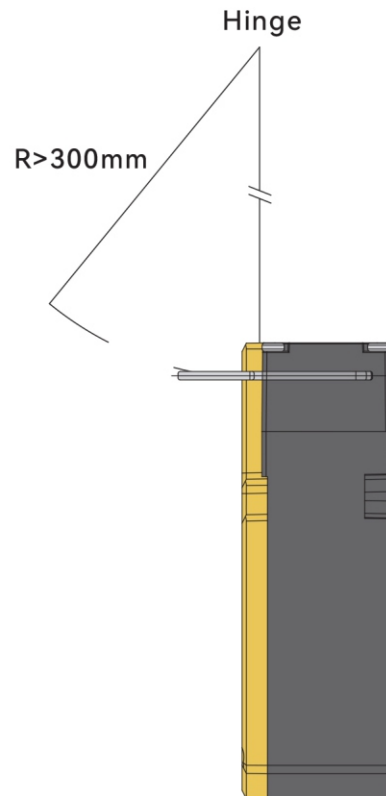
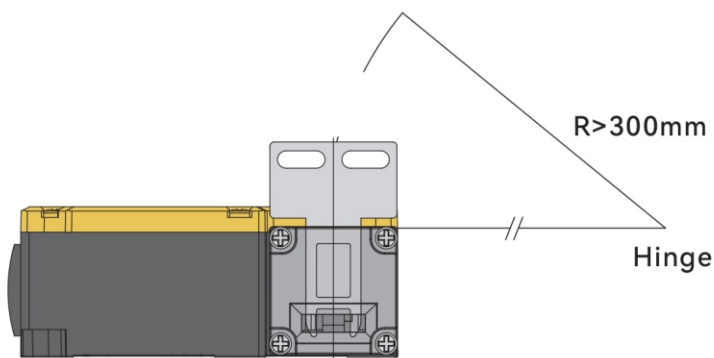
Horizontal/vertical adjustable operation key	DX-K8 operating key size diagram
 <p data-bbox="175 1713 422 1747">(Optional accessories)</p>	 <p data-bbox="973 1512 1133 1579">The operating head can rotate 90° by pressing 3mm</p> <p data-bbox="1388 1713 1484 1747">Unit: mm</p>

Installation diagram of DX-W5 operation key

- Loosen the four screws at the top of the head, rotate the head direction to select the appropriate operating keyhole position, and then proceed with installation.

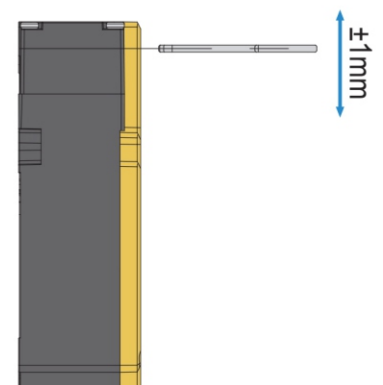
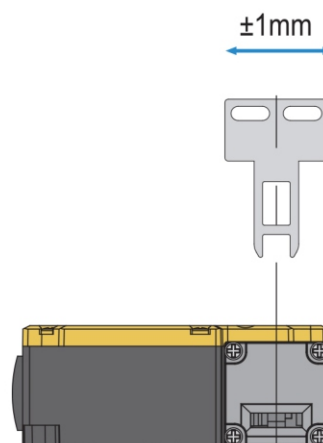
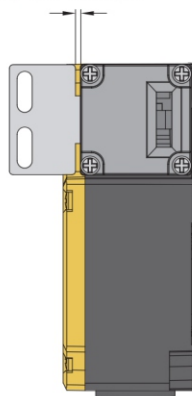


- When installed on a side hung door, it must be greater than the minimum radius.





- Please install switches and operating keys within the prepared position range (1-3.5mm).
- The allowable installation error of the operationkey is within $\pm 1\text{mm}$ of the insertion center of the operation key as the reference.

Ready position: 1.0~3.5mm



● Emergency unlocking key

Unlock screw type	Normal	Manual unlocking
Cross shaped screwdriver		

- When dealing with power outages or emergencies, the emergency unlocking button can be manually operated.
- When rotating the emergency unlocking button, it is necessary to rotate it to the bottom, otherwise there is a risk of damaging the switch or not being able to operate normally.
- Please control the torque of the emergency unlocking key below 0.2N.m, otherwise there is a risk of damage.
- After each use of the emergency unlocking button to unlock and handle an emergency situation, reset the emergency unlocking button, otherwise it will affect
- The normal locking function of the switch may pose a risk of personal injury or safety accidents.
- Only device administrators can operate the emergency unlock button. (Refer to safety precautions 02)

● Usage environment

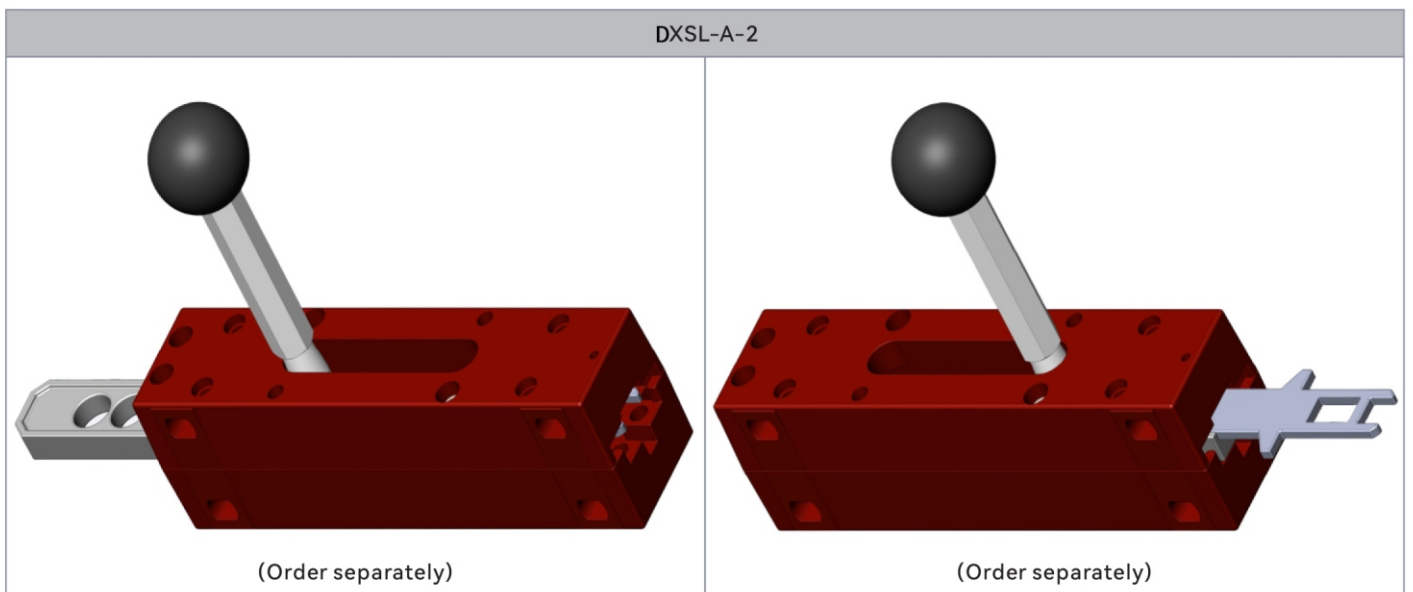
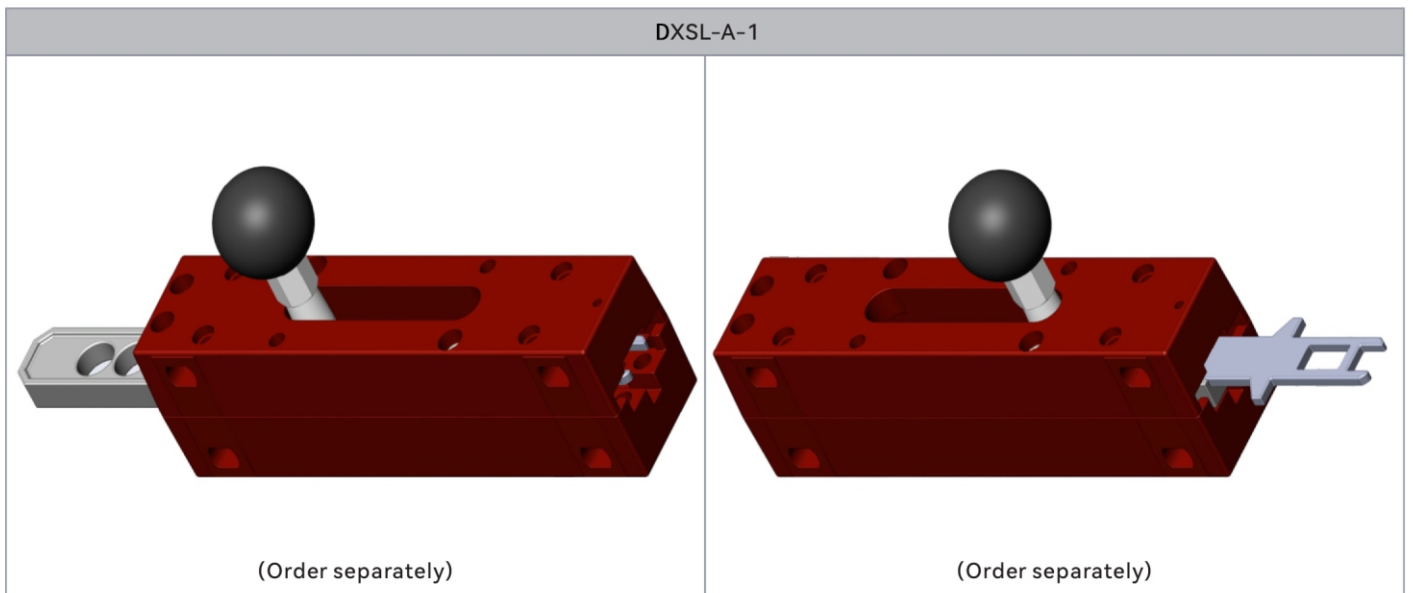
1. Do not immerse the switch in oil or water, or use the switch in a position where it is continuously splashed with oil or water.
2. Otherwise, it may cause oil or water to enter the interior of the switch.
3. The IP67 protection level of the switch specifies the water inflow after the switch is immersed in water for a certain period of time.

Safety door handles

Performance data

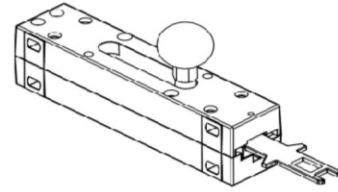
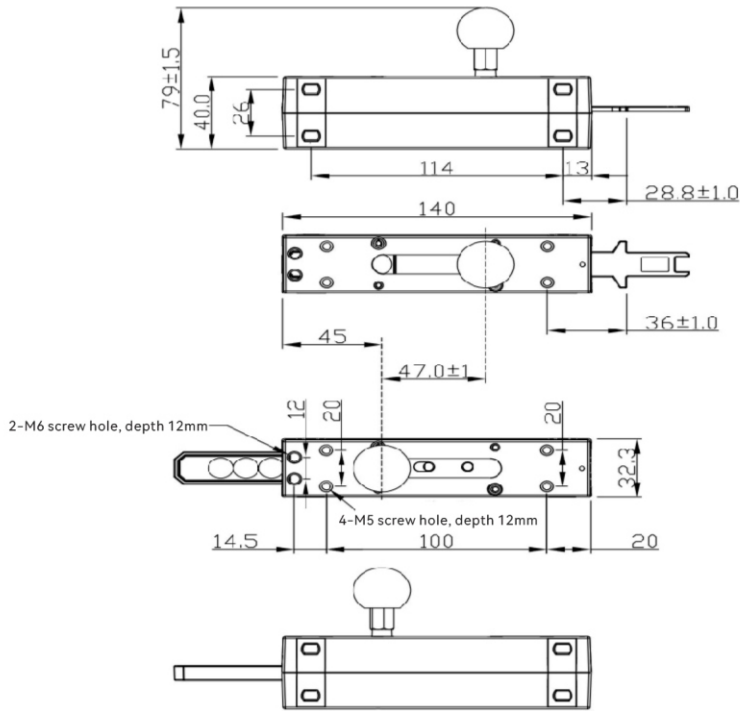
Model	DXSL-A-1	DXSL-A-2	DXSL-B-1	DXSL-B-2
Mechanical life	1 x 10 ⁶ times		1 x 10 ⁶ times	
Installation location	Doors or fences		Doors or fences	
Installation mode	Left or right		Left or right	
Base material	Zinc alloy		Aluminium alloy	
Slider material	Zinc alloy		Aluminium alloy	
Handle material	Stainless steel		Stainless steel	
Ball head material	Plastic		Plastic	
Weight	0.6kg		0.95kg	1.05kg

• Appearance diagram

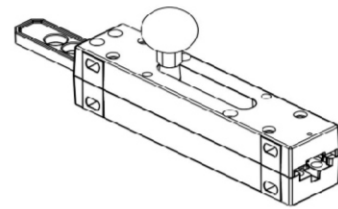


● Installation dimensions of safety door bolts

DXSL-A-1 installation dimensions



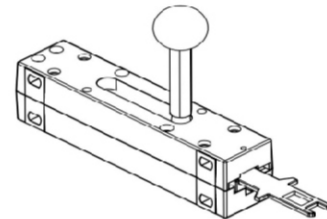
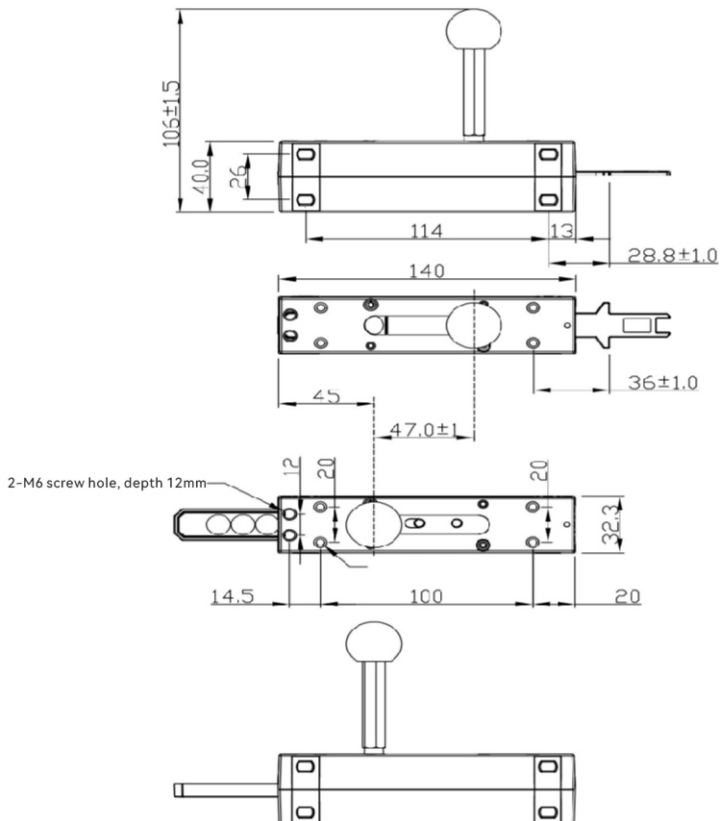
Pushing out the key



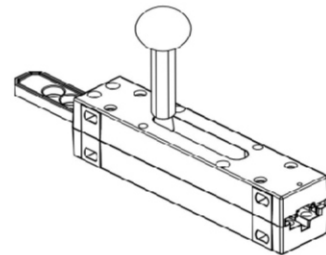
Retract key

Unit: mm

DXSL-A-2 installation dimensions



Pushing out the key



Retract key

Unit: mm

DAIDISIKE is honored to provide you with safety protection.




Please be sure to thoroughly understand the content of the user manual before using our company's products.

For your safety, please be sure to follow the precautions in the user manual.

The specifications and accessories recorded in this manual may be changed when necessary, during improvements, or for other reasons. Please consult our sales personnel to confirm the actual specifications of our products.

SAFETY PRECAUTIONS

Warning (Violation of this item may result in death or serious injury)

01. In order to protect personal safety and prevent safety accidents, please install multiple safety protection devices when using this product. Otherwise, it may cause personal injury or safety accidents.
02. Please configure a device administrator during the use of this product. The administrator's requirements are as follows:
 - Operators familiar with the installation, setup, use, and maintenance of this product
 - Personnel who are familiar with and comply with the regulations/systems/regulations of the country or region corresponding to the type of equipment used in this product
 Except for equipment managers, personnel unfamiliar with this product who operate the equipment may pose a risk of personal injury or safety accidents.
03. After installing the product, please conduct debugging before the equipment is officially running and ensure that the product's functionality meets the expected protection requirements. When the product is not set according to the expected action, it may cause personal injury or safety hazards.
04. It is prohibited to operate in places containing explosive, flammable, corrosive gases, with intense temperature changes, high humidity, and the possibility of condensation
Places, places with intense vibration, places with diluents, detergents, and other solvents for use.
Otherwise, there is a risk of explosion or fire, which may lead to a decrease in product performance.
05. The product has multiple modular coding functions. Please confirm the usage requirements before leaving the factory and select the appropriate model according to the usage requirements. Please do not allow any Intentionally transforming products.
Otherwise, there is a possibility of reducing product performance and causing damage to the switch.
06. Do not use the safety switch as a stop element for the door. Please be sure to set a mechanical stop element to limit the position of the door.
Do not use the safety switch as a stop element
As the full switch is used as the door lock device, please add mechanical door bolts or other methods to set the door lock.
Otherwise, due to vibration or the door itself, the safety switch operation key may deviate and cannot be accurately inserted into the switch actuator, or even
There is a possibility of damaging the switch.
07. The safety switch of the power-on locking type remains locked when powered on, and unlocked when powered off. In case of emergency power outage or other accidents
In this case, the switch solenoid may be unlocked due to power outage, and the internal device may not be completely stopped due to inertia or other reasons. Please be sure to
It is necessary to confirm that the machine has completely stopped.
Otherwise, there may be a risk of personal injury.
08. When the safety switch is continuously energized by the solenoid, the maximum temperature of the switch panel is about 25 °C higher than the ambient temperature.
09. If the device is used while the emergency unlocking knob is in position , electromagnetic locking may not work, resulting in some devices stopping when they should be Still in operation at the end.
Before using the device, make sure to place the emergency unlocking knob in position . In addition, please check the status of the locking and safety circuits.
10. Before changing the head direction,  please make sure to set the emergency unlocking knob to the position or install the operation key. Otherwise, it may cause damage to the switch, resulting in some devices still operating when they should be stopped.

Attention (Violation of this item may result in personal injury or product damage)

01. Before installation, confirm the wiring diagram before proceeding with the wiring.
02. Please use within the rated specification range.
03. Please correctly distinguish the polarity of the solenoid before wiring. Do not reverse the connection and do not apply voltage outside the rated voltage range.
04. When replacing the head, please prevent foreign objects from entering the interior of the switch and lock the fastening screws tightly.
05. When opening the protective cover, it is necessary to prevent debris, liquid, cable residue, and other foreign objects from entering the interior of the switch.
06. Please use reliable fixation methods such as welding and screws to secure the operating keys in a reasonable position to prevent detachment or displacement.
07. Do not perform unlocking operations when applying external forces such as pushing or pulling on the operating key (safety door).
08. When the door is open, please do not insert the operation key. Otherwise, the machine may move and cause injury.
09. Please use the dedicated operation key configured by our company's safety switch, and be careful to keep the backup operation key.
10. Do not use metal cable waterproof joints or metal conduits.