

TECHNICAL DATA SHEET

SAFETY INTERLOCK SWITCHES DEVICE DX-W3 series



Contents

- Product features
- Technical data
- Electrical wiring
- Accessories
- Installation diagram
- Back unlocking
- Safety door bolt



Product Features

- The safety door switch with locking function can ensure that the safety protection device door and other protective covers remain in a safe state even if the dangerous state is not eliminated.

DX-W3 series

- metal head
- 2 sets of gold-plated contacts
- 6 contact combinations
- Locking force 1300N
- Indicator light + emergency unlock
- Adapt to 11 kinds of operation keys
- Compact design saves space



Suitable for monitoring safety doors and windows

- High strength wear-resistant engineering plastic with built-in 304 stainless steel components
- Forced mechanical interlocking self detection structure with extremely high reliability

Product application

Used for monitoring places such as safety doors and windows, in accordance with EN ISO 14119 and GB/T 18831-2002.

- Automated production line
- Robot production line
- Hazard testing area
- Isolation places, etc



Technical data

| Electrical parameters | | |
|---|-----------------------|-------|
| Rated voltage | 24VDC | |
| Rated current | 1mA | |
| Light source color | green | |
| Rated working voltage | DC24V±10% | |
| Rated current | 200mA (initial value) | |
| Rated power | 4.8W | |
| Rated insulation voltage (U _i) | 300V | |
| Rated impulse withstand voltage (U _{imp}) | 2.5kV | |
| Rated open thermal current (I _{th}) | 10A | |
| Rated limited short-circuit current | 1000A | |
| Use category | AC-15 | DC-13 |
| Rated working voltage (U _e) | 240V | 30V |
| Rated operating current (I _e) | 3A | 2.3A |

| Mechanical parameters | |
|-------------------------------|---|
| Dimensions (w*h*l) | 39*39.4*183mm |
| Insulation class | Class B (130°C) |
| Shell material | PA66 flame retardant |
| Contact material | Gold Plated Silver Alloy |
| Protection level | IP67 (EN60947-5-1, except key operation hole) |
| Service life | Mechanical more than 1 million times |
| | Electric appliances more than 150,000 times |
| Tensile strength when locked | 1300N |
| Forced disengagement force | ≥60N |
| Forced breakaway distance | ≥10mm |
| Allowable operating speed | 0.05-0.5m/s |
| Allowable operating frequency | Up to 20 operations/min |

| Environmental data | |
|----------------------|--------------------------------|
| Ambient temperature | -20 °C~60 °C, without freezing |
| Environment humidity | Below 85% RH |

Electrical wiring

1.Function and purpose

The use of safety door locks to monitor the status of safety doors can ensure reliable shutdown of equipment.



2.Connection example

The safety door lock can be connected to the safety relay to form a high-level safety circuit. Used to control reliable stopping and starting of equipment.



Model Selection

DX-W3 C / C - G C J

J: Metal head; S: Plastic head

C: Mechanical locking and electromagnetic unlocking;
D: Electromagnetic locking, power outage unlocking

G: M20

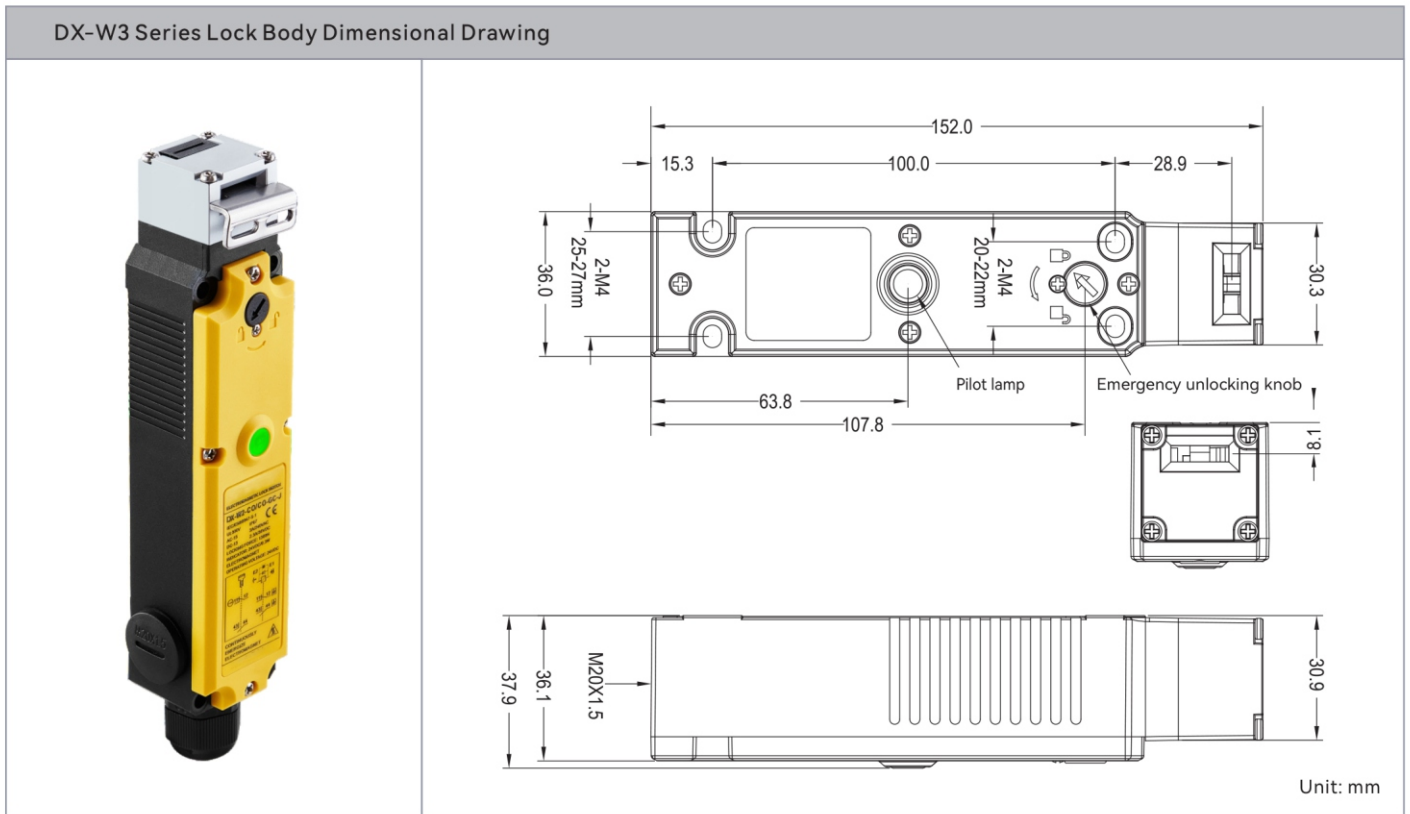
X: Comes with a connecting cable (default cable is 1.5m,
other lengths can be customized by contacting customer service)

Lock status monitoring output: C: (1NC); 2C: (2NC) (default 1 is empty)

Insert key monitoring output: CO: (1NC+1NO); C: (1NC) (default 1 is empty)

Product model: DX-W3

● Overall dimensions



● The following wiring diagram shows inserting the operation key and being in the lock state

| Model | Contact type | | Wiring diagram | | Contact action | |
|----------------------------------|---------------------------------|-----------------|-----------------|-----------------|--------------------------------------|-----------------------------------|
| | Door monitoring+lock monitoring | Door monitoring | Door monitoring | Lock monitoring | ■ : ON | □ : OFF |
| | | | | | Operating the key Fully inserted | Operating the key Pulling out |
| DX-W3-C/C-GD-J DX-W3-C/C-GC-J | 1NC | 1NC | | | 11--12 21--22 | Locked position |
| DX-W3-/2C-GD-J DX-W3-/2C-GC-J | - | 2NC | | | 11--12 21--22 | Locked position |
| DX-W3-2C/-GD-J DX-W3-2C/-GC-J | 2NC | - | | | 11--12 21--22 | Locked position |
| DX-W3-CO/-GD-J DX-W3-CO/-GC-J | 1NC+1NO | - | | | 11--12 23--24 | Locked position |
| DX-W3-O/C-GD-J DX-W3-O/C-GC-J | 1NC | 1NO | | | 11--12 23--24 | Locked position |
| DX-W3-/CO-GD-J DX-W3-/CO-GC-J | - | 1NC+1NO | | | 11--12 23--24 | Locked position |

● Electromagnetic locking type

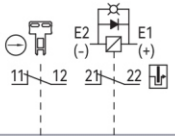
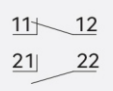
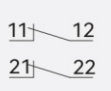
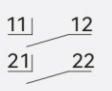
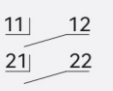

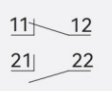
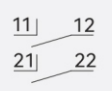
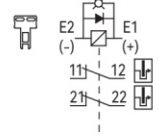
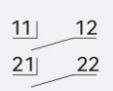
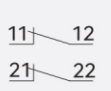
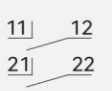
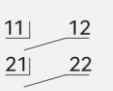
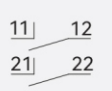
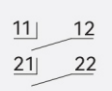
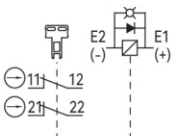


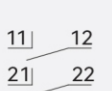


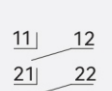
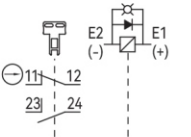





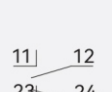
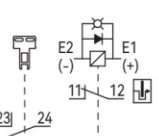
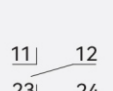


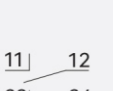
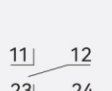

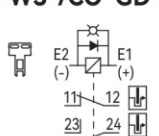


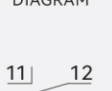
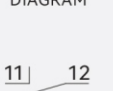


| Safety door action status | State 1 | State 2 | State 3 | State 4 | When manually unlocking | |
|---------------------------|---------------------|---------------------|---------------------|---------------------|-------------------------|----|
| | OFF | OFF | ON | ON | OFF | ON |
| DX-W3-C/C-GD-J | CIRCUIT DIAGRAM | CIRCUIT DIAGRAM | CIRCUIT DIAGRAM | CIRCUIT DIAGRAM | CIRCUIT DIAGRAM | |
| DX-W3-/2C-GD-J | CIRCUIT DIAGRAM | CIRCUIT DIAGRAM | CIRCUIT DIAGRAM | CIRCUIT DIAGRAM | CIRCUIT DIAGRAM | |
| DX-W3-2C/-GD-J | CIRCUIT DIAGRAM | CIRCUIT DIAGRAM | CIRCUIT DIAGRAM | CIRCUIT DIAGRAM | CIRCUIT DIAGRAM | |
| DX-W3-CO/-GD-J | CIRCUIT DIAGRAM | CIRCUIT DIAGRAM | CIRCUIT DIAGRAM | CIRCUIT DIAGRAM | CIRCUIT DIAGRAM | |
| DX-W3-O/C-GD-J | CIRCUIT DIAGRAM | CIRCUIT DIAGRAM | CIRCUIT DIAGRAM | CIRCUIT DIAGRAM | CIRCUIT DIAGRAM | |
| DX-W3-/CO-GD-J | CIRCUIT DIAGRAM | CIRCUIT DIAGRAM | CIRCUIT DIAGRAM | CIRCUIT DIAGRAM | CIRCUIT DIAGRAM | |

Note:

After manually unlocking, the safety door is in an open state, please do not apply voltage to the electromagnet for a long time.

In the event of an emergency such as the operation state of the door before wiring and power-on, or a power failure, the lock of the operation key can be manually released.

● Mechanical locking type


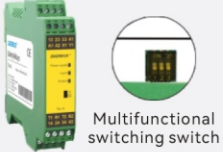
| Safety door action status | State 1 | State 2 | State 3 | State 4 | When manually unlocking | | |
|--|--|--|---|--|---|----|--|
| | OFF | OFF | ON | ON | OFF | ON | |
| DX-W3-C/C-GD-J  | CIRCUIT DIAGRAM  | CIRCUIT DIAGRAM  | CIRCUIT DIAGRAM  | CIRCUIT DIAGRAM  |  CIRCUIT DIAGRAM  | | CIRCUIT DIAGRAM  |
| DX-W3-/2C-GD-J  | CIRCUIT DIAGRAM  | CIRCUIT DIAGRAM  | CIRCUIT DIAGRAM  | CIRCUIT DIAGRAM  | CIRCUIT DIAGRAM  | | CIRCUIT DIAGRAM  |
| DX-W3-2C/-GD-J  | CIRCUIT DIAGRAM  | CIRCUIT DIAGRAM  | CIRCUIT DIAGRAM  | CIRCUIT DIAGRAM  | CIRCUIT DIAGRAM  | | CIRCUIT DIAGRAM  |
| DX-W3-CO/-GD-J  | CIRCUIT DIAGRAM  | CIRCUIT DIAGRAM  | CIRCUIT DIAGRAM  | CIRCUIT DIAGRAM  | CIRCUIT DIAGRAM  | | CIRCUIT DIAGRAM  |
| DX-W3-O/C-GD-J  | CIRCUIT DIAGRAM  | CIRCUIT DIAGRAM  | CIRCUIT DIAGRAM  | CIRCUIT DIAGRAM  | CIRCUIT DIAGRAM  | | CIRCUIT DIAGRAM  |
| DX-W3-/CO-GD-J  | CIRCUIT DIAGRAM  | CIRCUIT DIAGRAM  | CIRCUIT DIAGRAM  | CIRCUIT DIAGRAM  | CIRCUIT DIAGRAM  | | CIRCUIT DIAGRAM  |

Note:

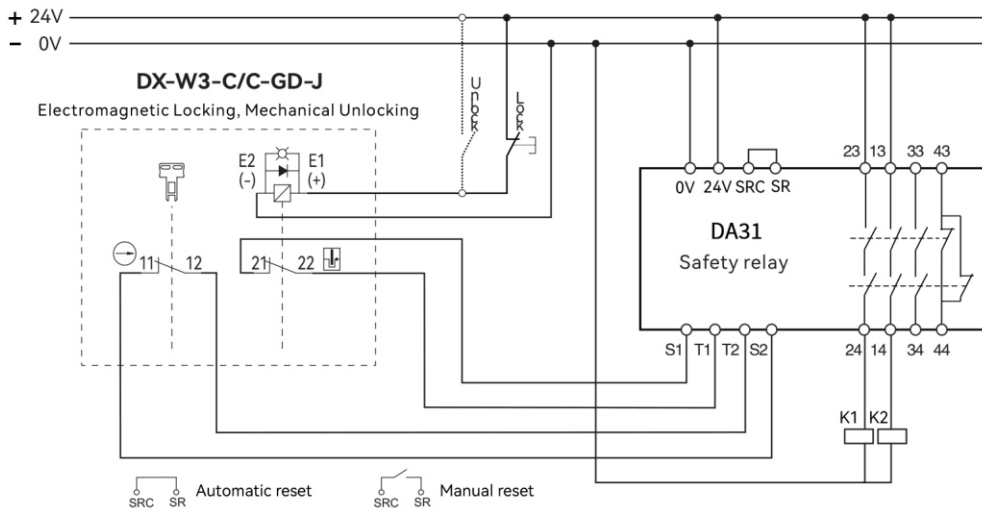
After manually unlocking, the safety door is in an open state, please do not apply voltage to the electromagnet for a long time.

In the event of an emergency such as the operation state of the door before wiring and power-on, or a power failure, the lock of the operation key can be manually released.

● Selection of safety locking device connected to safety relay

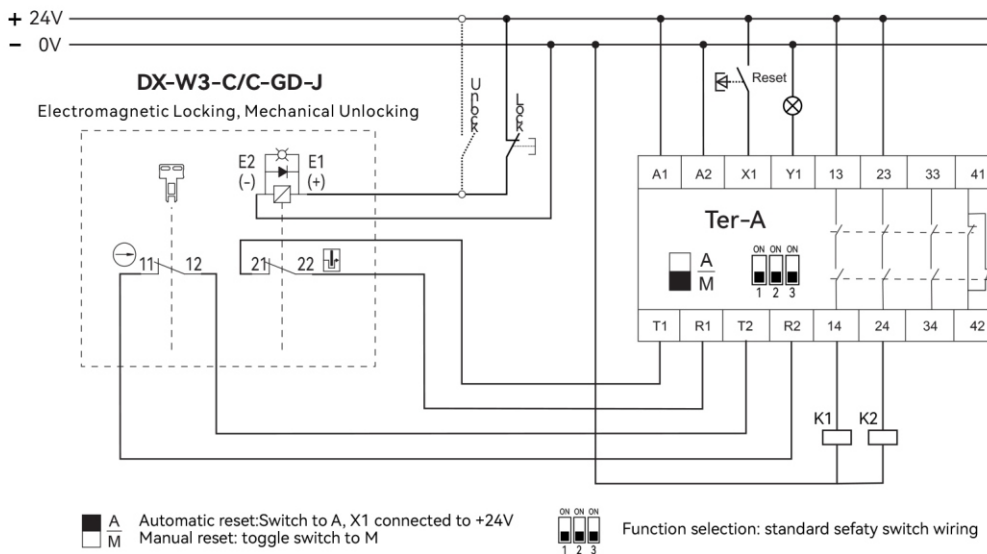
| Name | Order separately | Model | Descriptions |
|--------------|---|-------|---|
| Safety relay |  | DA31 | DA31 safety relays have three groups of NO and one group of NC, with strong control capabilities. They are suitable for various signal monitoring in industrial places with high safety requirements, including emergency stop signals, safety door opening and closing signals, safety light curtain signals, and two-handed button signals. |
| Safety relay |  | Ter-A | Equipped with a mode switch, it can be used for most safety components, such as light curtains, safety switches, carpet contacts, two handed switches, etc. Automatic/manual reset paddles for quick configuration. Dual channel monitoring circuit, safe and reliable. |

1. An example of the wiring diagram between the safety interlock switch and LS-A is as follows:




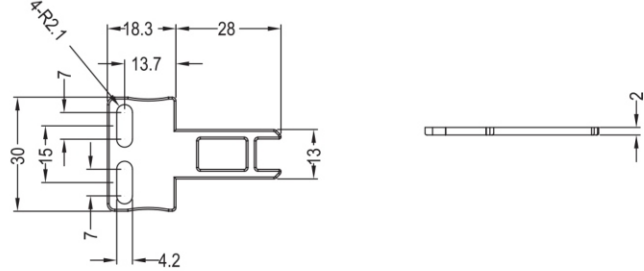
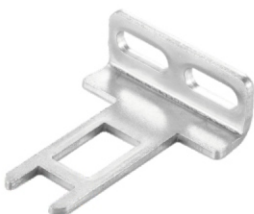
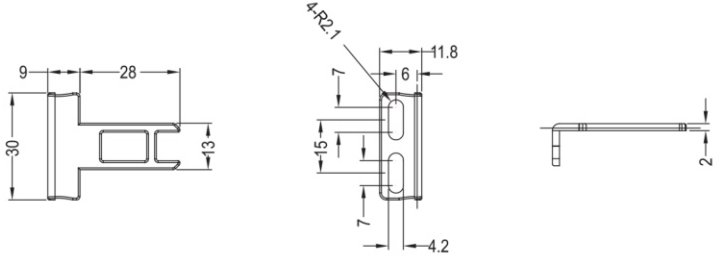

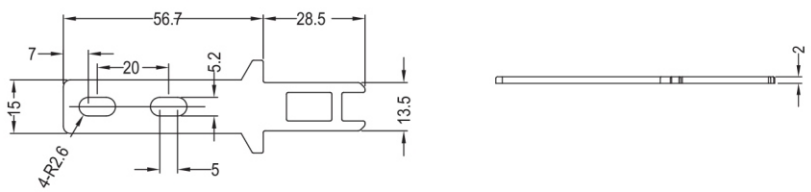

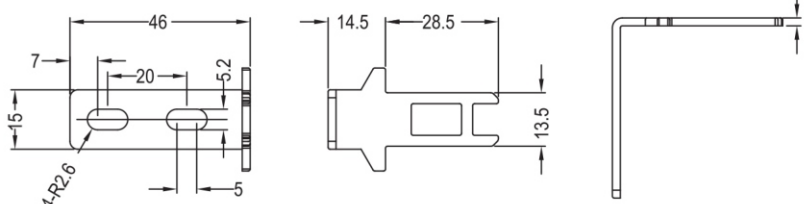
This is an example wiring diagram of DX-W3-C/C-GD-J.


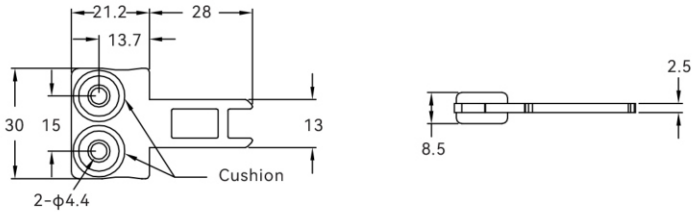
2. An example of the wiring diagram between the safety interlock switch and Ter-A is as follows:


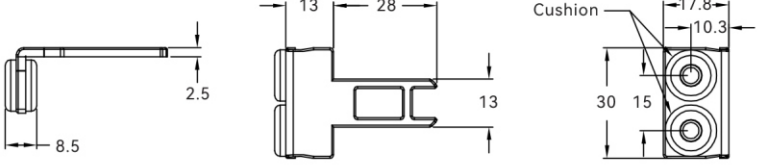



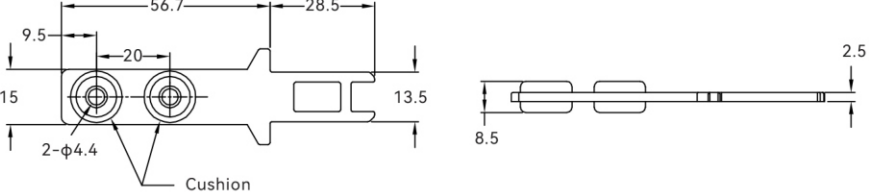
This is an example wiring diagram of DX-W3-C/C-GD-J with manual reset.


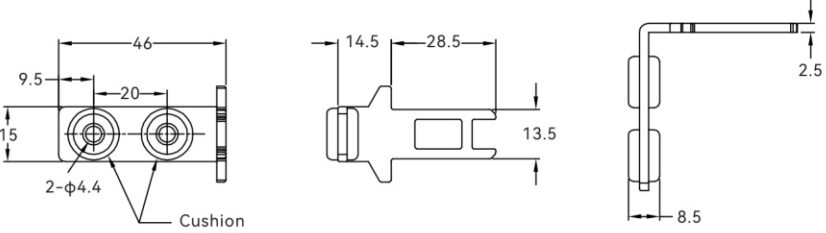
Accessories


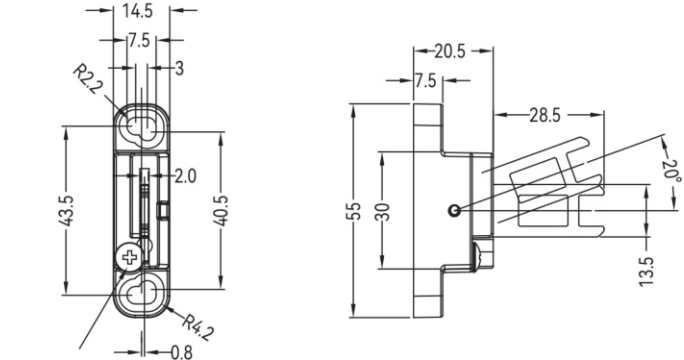
| T-shaped operation key | DX-K1 operating key size diagram |
|---|--|
|  <p data-bbox="183 593 422 622">(Optional accessories)</p> |  <p data-bbox="1388 604 1476 633">Unit: mm</p> |
| L-shaped operation key | DX-K2 operating key size diagram |
|  <p data-bbox="183 1064 422 1093">(Optional accessories)</p> |  <p data-bbox="1388 1064 1476 1093">Unit: mm</p> |
| Long T-shaped operating key | DX-K3 operating key size diagram |
|  <p data-bbox="183 1523 422 1552">(Optional accessories)</p> |  <p data-bbox="1388 1534 1476 1563">Unit: mm</p> |
| Long L-shaped operating key | DX-K4 operating key size diagram |
|  <p data-bbox="183 1998 422 2027">(Optional accessories)</p> |  <p data-bbox="1388 1998 1476 2027">Unit: mm</p> |


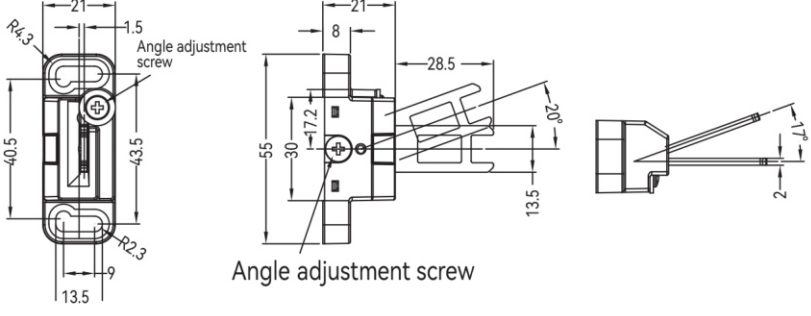
| T-shaped operation key | DX-K1D operating key size diagram |
|---|--|
|  <p>(Optional accessories)</p> |  <p>Unit: mm</p> |


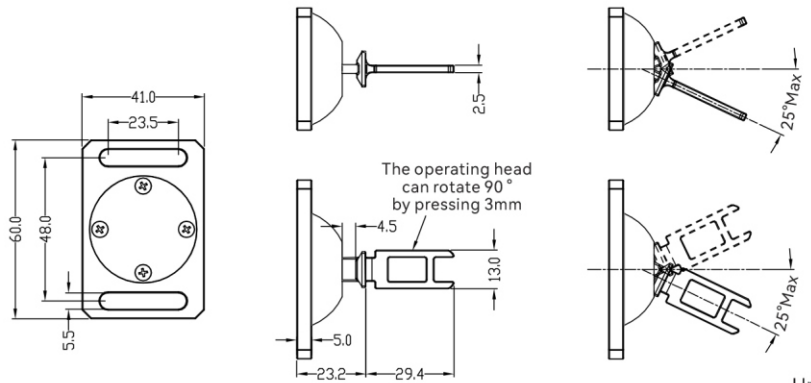
| L-shaped operation key | DX-K2D operating key size diagram |
|--|--|
|  <p>(Optional accessories)</p> |  <p>Unit: mm</p> |

| Long T-shaped operating key | DX-K3D operating key size diagram |
|---|--|
|  <p>(Optional accessories)</p> |  <p>Unit: mm</p> |

| Long L-shaped operating key | DX-K4D operating key size diagram |
|---|--|
|  <p>(Optional accessories)</p> |  <p>Unit: mm</p> |

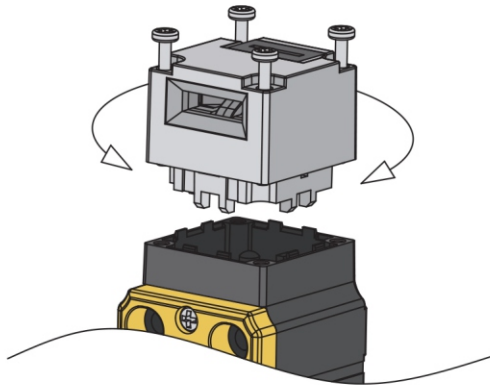
| Horizontal adjustable operating key | DX-K5 operating key size diagram |
|---|--|
|  <p data-bbox="183 649 438 683">(Optional accessories)</p> |  <p data-bbox="662 638 909 672">Angle adjustment screw</p> <p data-bbox="1388 649 1484 683">Unit: mm</p> |

| Horizontal/vertical adjustable operation key | DX-K6 operating key size diagram |
|--|--|
|  <p data-bbox="183 1187 422 1220">(Optional accessories)</p> |  <p data-bbox="821 1108 1077 1142">Angle adjustment screw</p> <p data-bbox="1388 1187 1484 1220">Unit: mm</p> |

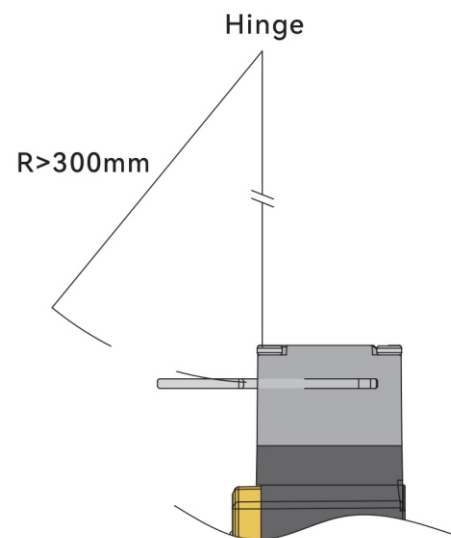
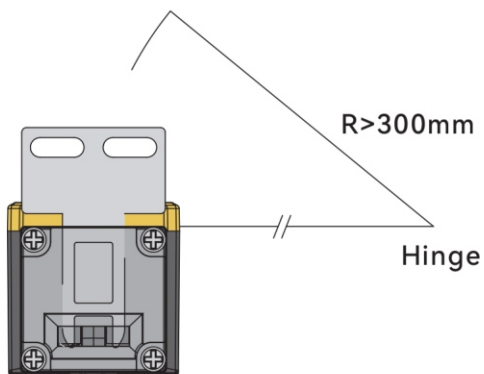
| Horizontal/vertical adjustable operation key | DX-K8 operating key size diagram |
|---|--|
|  <p data-bbox="175 1713 422 1747">(Optional accessories)</p> |  <p data-bbox="973 1512 1133 1579">The operating head can rotate 90° by pressing 3mm</p> <p data-bbox="1388 1713 1484 1747">Unit: mm</p> |

Installation diagram of DX-W3 operation key

- Loosen the four screws at the top of the head, rotate the head direction to select the appropriate operating keyhole position, and then proceed with installation.

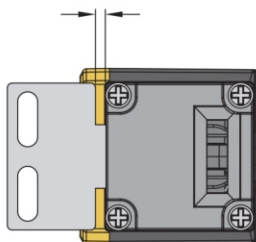


- When installed on a side hung door, it must be greater than the minimum radius.

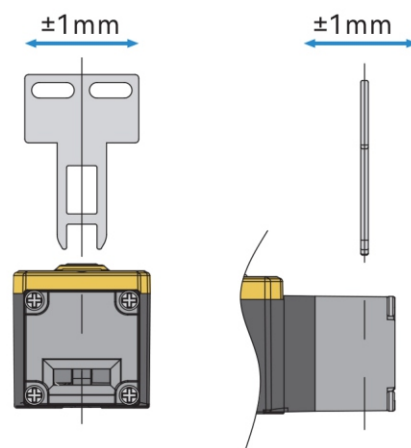


- Please install switches and operating keys within the prepared position range (1-3.5mm).



Ready position: 1.0~3.5mm



- The allowable error for the installation of the operating key is within ± 1 mm of the center of the operating key insertion hole.



● Emergency unlocking

| Unlock screw type | Normal | Manual unlocking |
|----------------------------|--|---|
| Straight+Hexagram or cross |  |  |

- When dealing with power outages or emergencies, the emergency unlocking button can be manually operated.
- Before operating the emergency unlocking key, first raise the inner Hexagram screw, otherwise the emergency unlocking key cannot be unlocked normally and will be damaged.
- When rotating the emergency unlocking button, it is necessary to rotate it to the bottom, otherwise there is a risk of damaging the switch or not being able to operate normally.
- Please control the torque of the emergency unlocking key to below 0.2N. m, otherwise there is a risk of damage.
- After each use of the emergency unlocking button to unlock and handle an emergency situation, reset the emergency unlocking button. Otherwise, it may affect the normal locking function of the switch and potentially cause personal injury or safety accidents.
- Only device administrators can operate the emergency unlock button.

● Usage environment

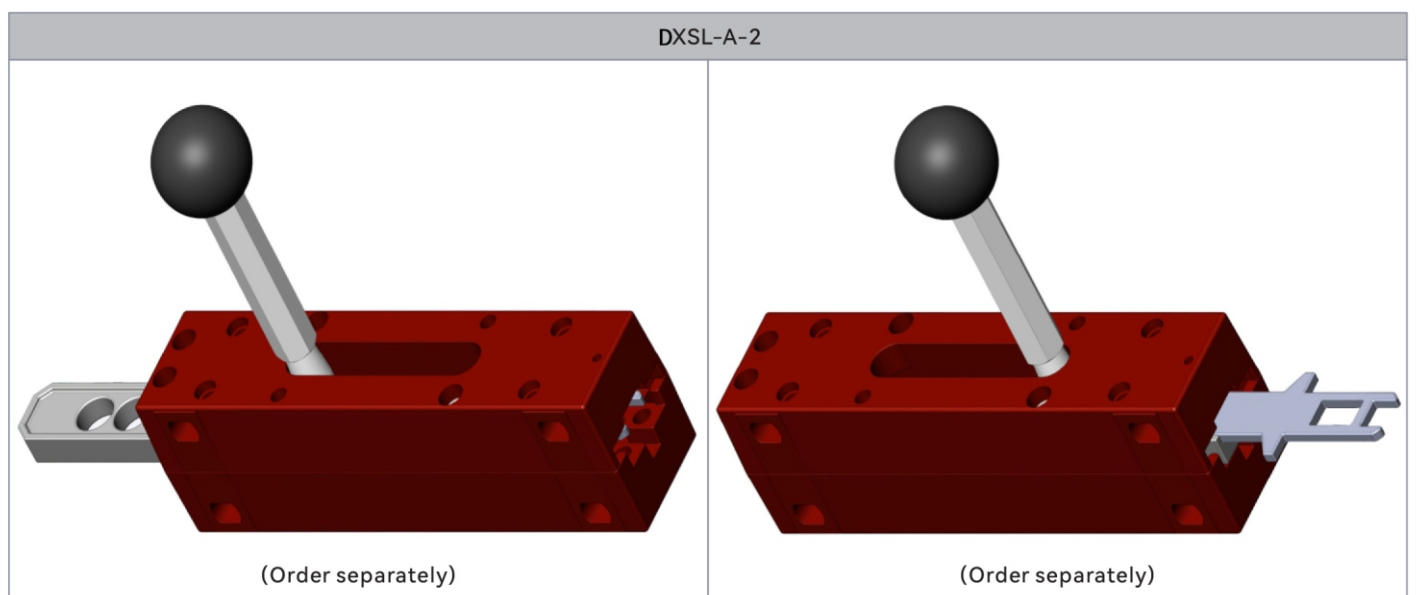
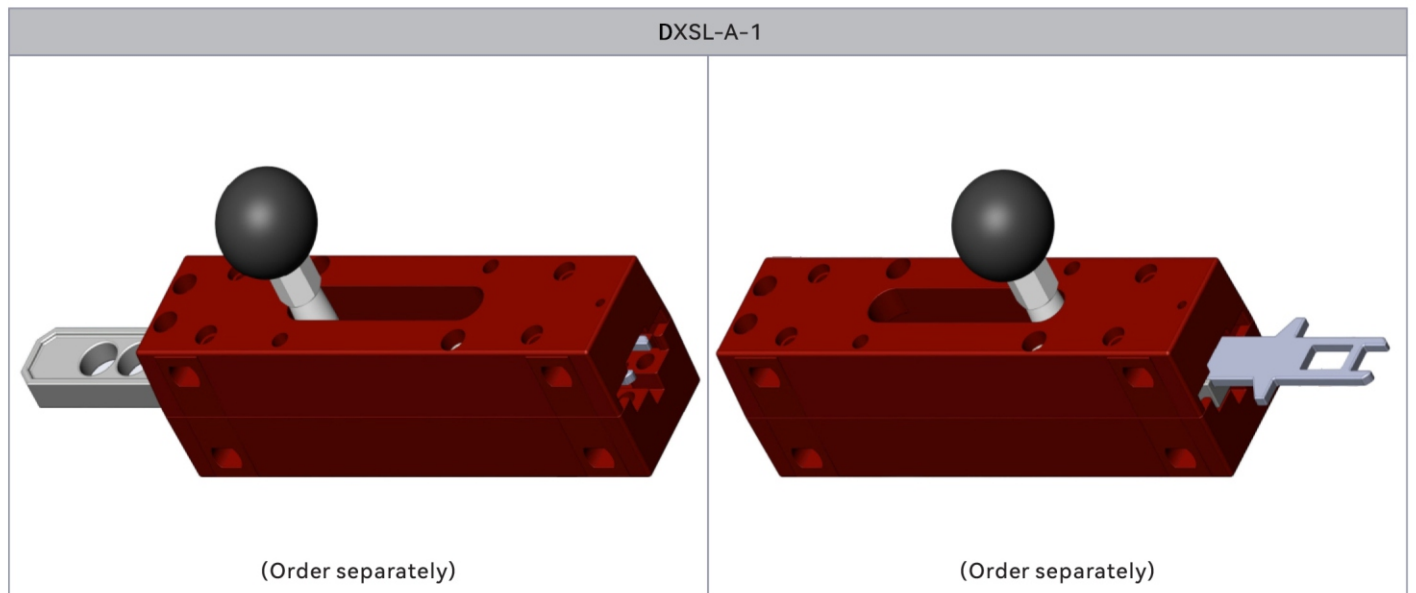
1. Do not immerse the switch in oil or water, or use the switch in a position where it is continuously splashed with oil or water.
2. Otherwise, it may cause oil or water to enter the interior of the switch.
3. The IP67 protection level of the switch specifies the water inflow after the switch is immersed in water for a certain period of time.

Safety door handles

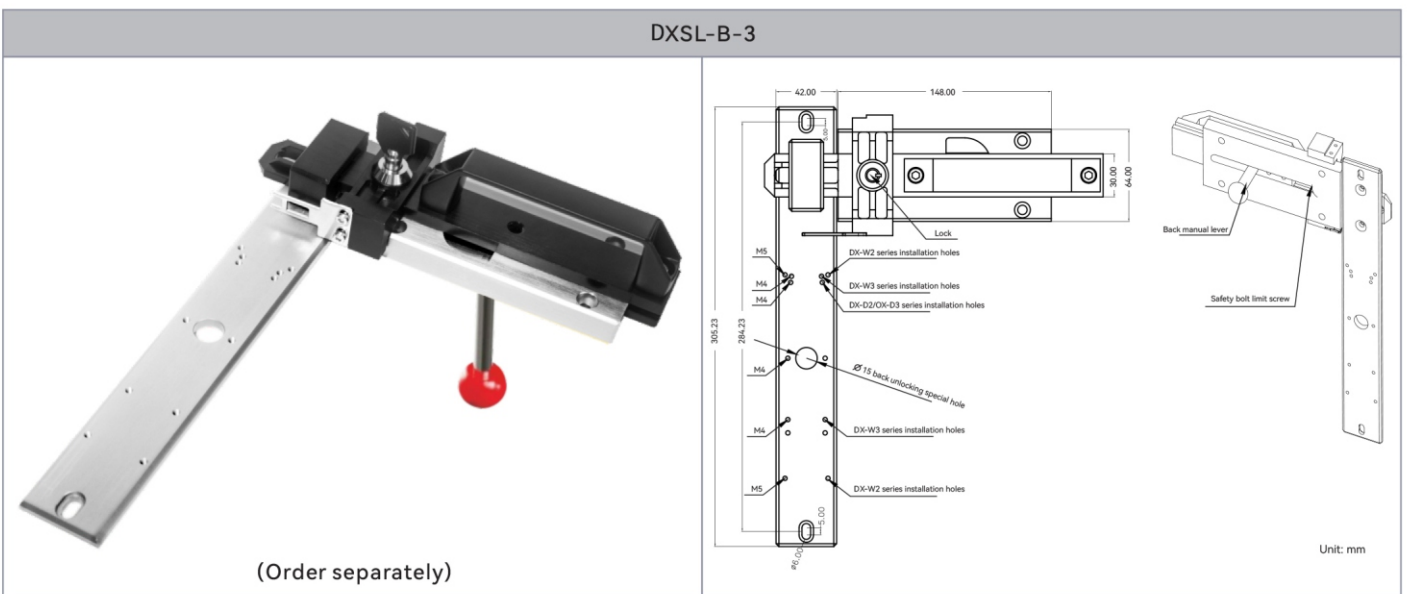
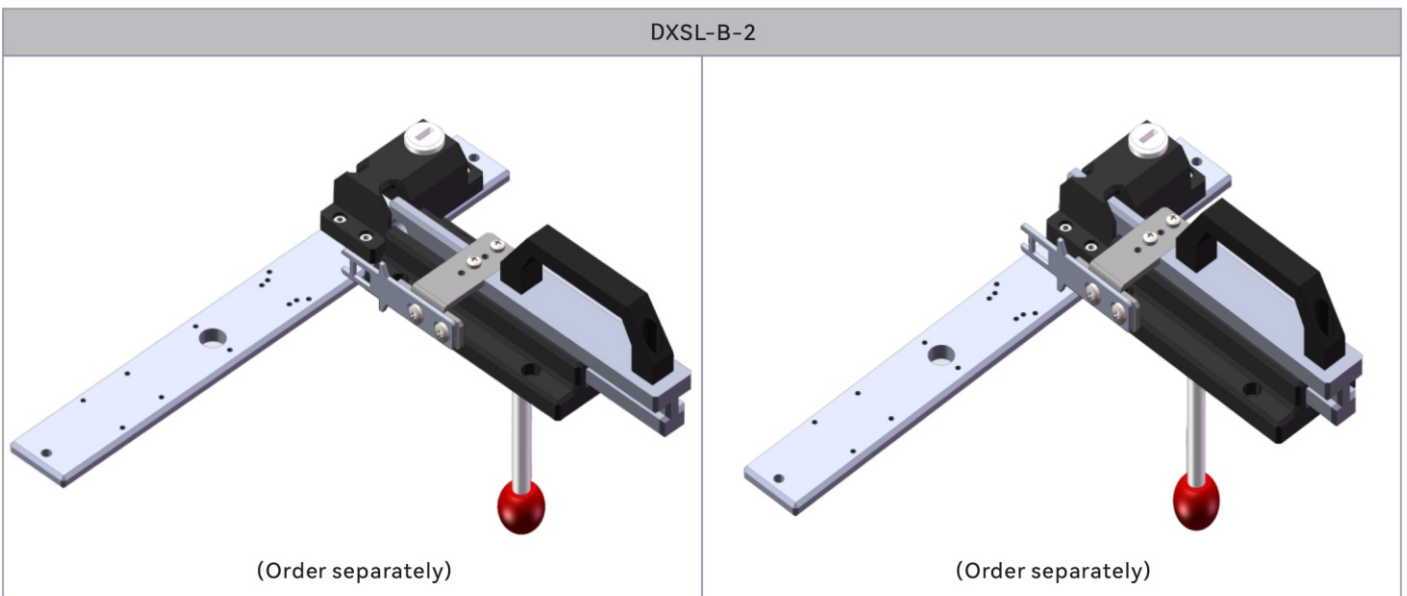
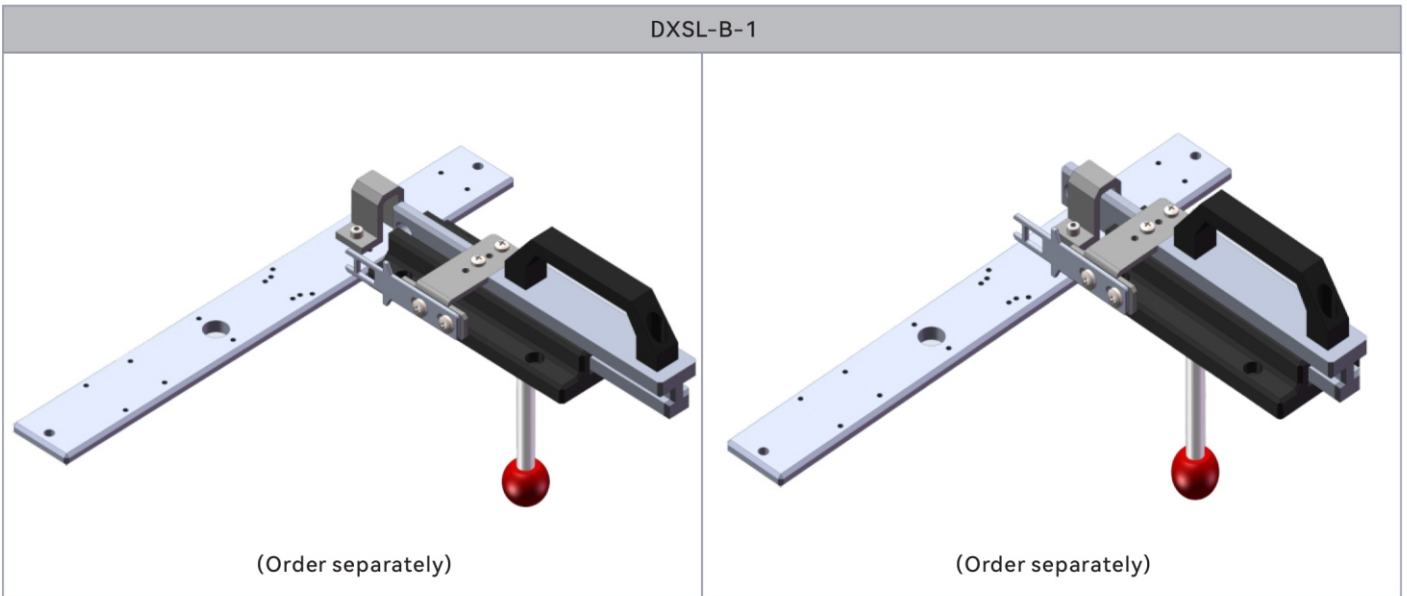
Performance data

| Model | DXSL-A-1 | DXSL-A-2 | DXSL-B-1 | DXSL-B-2 |
|-----------------------|---------------------------|----------|---------------------------|----------|
| Mechanical life | 1 x 10 ⁶ times | | 1 x 10 ⁶ times | |
| Installation location | Doors or fences | | Doors or fences | |
| Installation mode | Left or right | | Left or right | |
| Base material | Zinc alloy | | Aluminium alloy | |
| Slider material | Zinc alloy | | Aluminium alloy | |
| Handle material | Stainless steel | | Stainless steel | |
| Ball head material | Plastic | | Plastic | |
| Weight | 0.6kg | | 0.95kg | 1.05kg |

• Appearance diagram

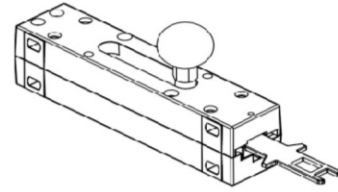
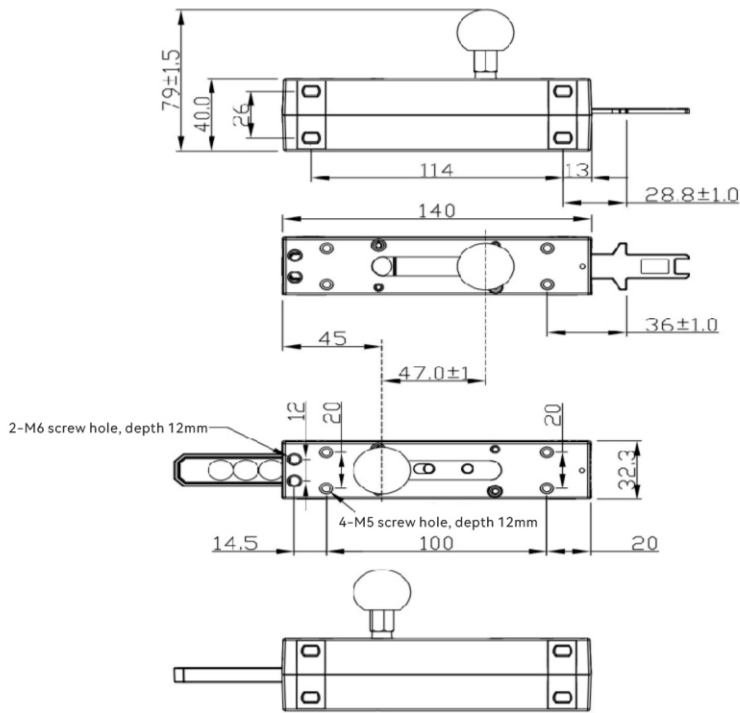


• Appearance diagram

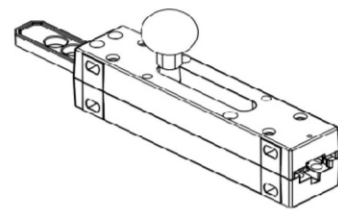


● Installation dimensions of safety door bolts

DXSL-A-1 installation dimensions



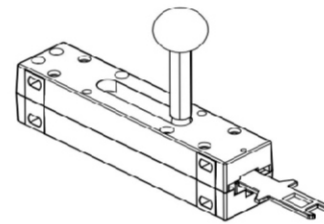
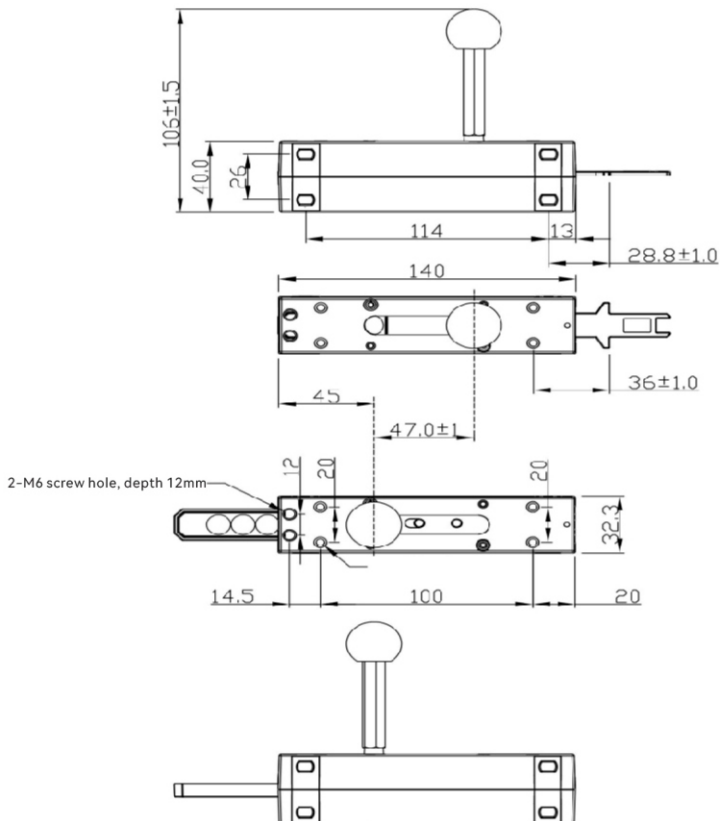
Pushing out the key



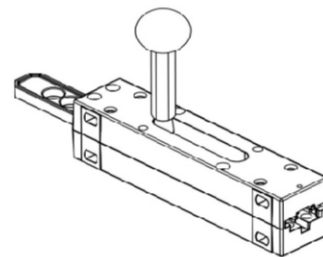
Retract key

Unit: mm

DXSL-A-2 installation dimensions



Pushing out the key

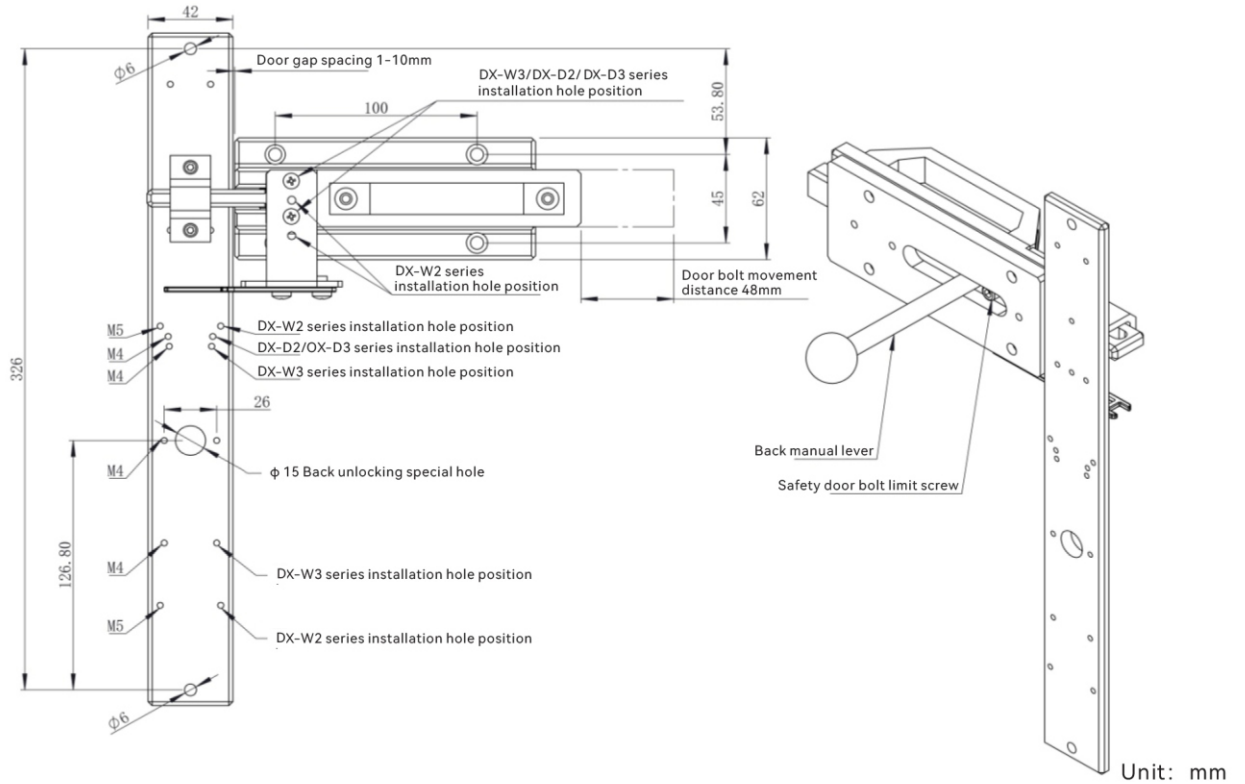


Retract key

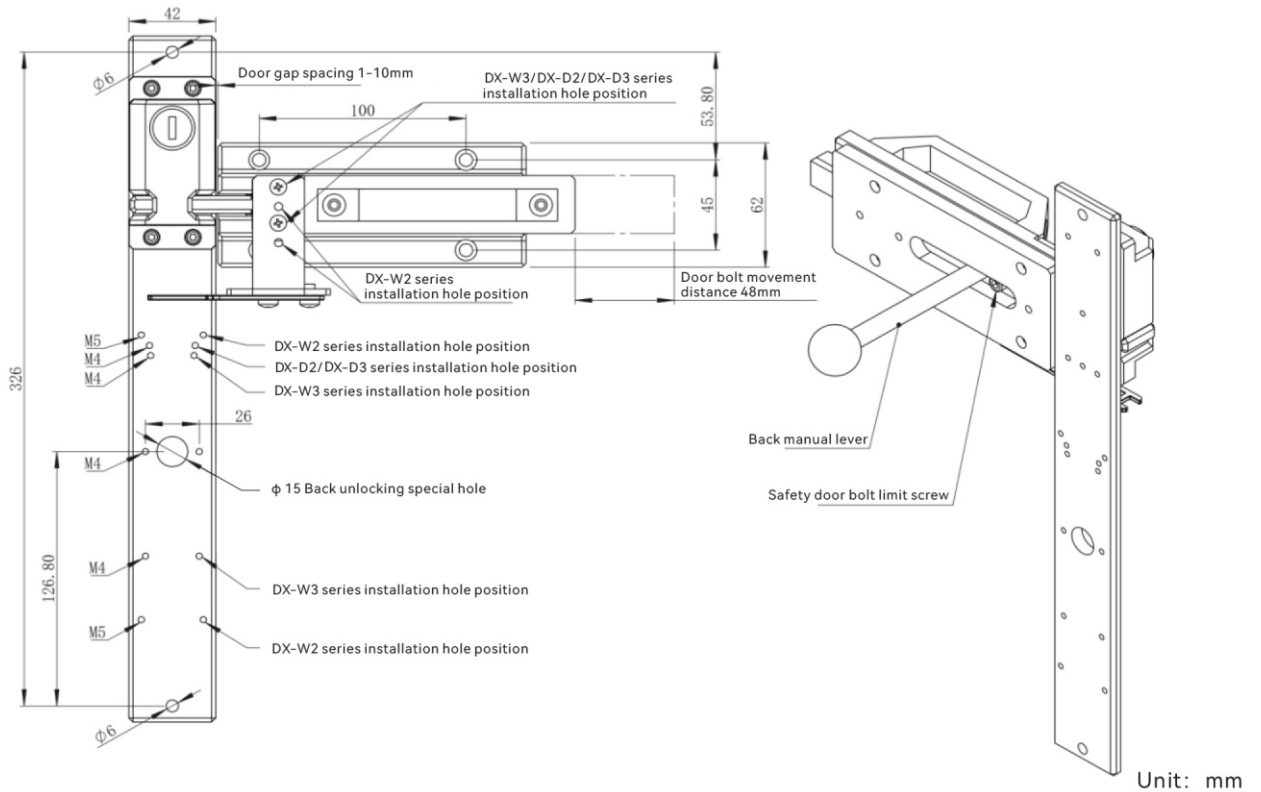
Unit: mm

● Installation dimensions of safety door bolts

DXSL-B-1 installation dimensions



DXSL-B-2 installation dimensions



DAIDISIKE is honored to provide you with safety protection.




Please be sure to thoroughly understand the content of the user manual before using our company's products.

For your safety, please be sure to follow the precautions in the user manual.

The specifications and accessories recorded in this manual may be changed when necessary, during improvements, or for other reasons. Please consult our sales personnel to confirm the actual specifications of our products.

SAFETY PRECAUTIONS

Warning (Violation of this item may result in death or serious injury)

01. In order to protect personal safety and prevent safety accidents, please install multiple safety protection devices when using this product. Otherwise, it may cause personal injury or safety accidents.
02. Please configure a device administrator during the use of this product. The administrator's requirements are as follows:
 - Operators familiar with the installation, setup, use, and maintenance of this product
 - Personnel who are familiar with and comply with the regulations/systems/regulations of the country or region corresponding to the type of equipment used in this product
 Except for equipment managers, personnel unfamiliar with this product who operate the equipment may pose a risk of personal injury or safety accidents.
03. After installing the product, please conduct debugging before the equipment is officially running and ensure that the product's functionality meets the expected protection requirements. When the product is not set according to the expected action, it may cause personal injury or safety hazards.
04. It is prohibited to operate in places containing explosive, flammable, corrosive gases, with intense temperature changes, high humidity, and the possibility of condensation
Places, places with intense vibration, places with diluents, detergents, and other solvents for use.
Otherwise, there is a risk of explosion or fire, which may lead to a decrease in product performance.
05. The product has multiple modular coding functions. Please confirm the usage requirements before leaving the factory and select the appropriate model according to the usage requirements. Please do not allow any Intentionally transforming products.
Otherwise, there is a possibility of reducing product performance and causing damage to the switch.
06. Do not use the safety switch as a stop element for the door. Please be sure to set a mechanical stop element to limit the position of the door.
Do not use the safety switch as a stop element
As the full switch is used as the door lock device, please add mechanical door bolts or other methods to set the door lock.
Otherwise, due to vibration or the door itself, the safety switch operation key may deviate and cannot be accurately inserted into the switch actuator, or even
There is a possibility of damaging the switch.
07. The safety switch of the power-on locking type remains locked when powered on, and unlocked when powered off. In case of emergency power outage or other accidents
In this case, the switch solenoid may be unlocked due to power outage, and the internal device may not be completely stopped due to inertia or other reasons. Please be sure to
It is necessary to confirm that the machine has completely stopped.
Otherwise, there may be a risk of personal injury.
08. When the safety switch is continuously energized by the solenoid, the maximum temperature of the switch panel is about 25 °C higher than the ambient temperature.
09. If the device is used while the emergency unlocking knob is in position , electromagnetic locking may not work, resulting in some devices stopping when they should be Still in operation at the end.
Before using the device, make sure to place the emergency unlocking knob in position . In addition, please check the status of the locking and safety circuits.
10. Before changing the head direction,  please make sure to set the emergency unlocking knob to the position or install the operation key. Otherwise, it may cause damage to the switch, resulting in some devices still operating when they should be stopped.

Attention (Violation of this item may result in personal injury or product damage)

01. Before installation, confirm the wiring diagram before proceeding with the wiring.
02. Please use within the rated specification range.
03. Please correctly distinguish the polarity of the solenoid before wiring. Do not reverse the connection and do not apply voltage outside the rated voltage range.
04. When replacing the head, please prevent foreign objects from entering the interior of the switch and lock the fastening screws tightly.
05. When opening the protective cover, it is necessary to prevent debris, liquid, cable residue, and other foreign objects from entering the interior of the switch.
06. Please use reliable fixation methods such as welding and screws to secure the operating keys in a reasonable position to prevent detachment or displacement.
07. Do not perform unlocking operations when applying external forces such as pushing or pulling on the operating key (safety door).
08. When the door is open, please do not insert the operation key. Otherwise, the machine may move and cause injury.
09. Please use the dedicated operation key configured by our company's safety switch, and be careful to keep the backup operation key.
10. Do not use metal cable waterproof joints or metal conduits.